

**Board 1**  
North Deals  
None Vul

Blue-Thursday

♠ K 10 9		♠ A 6 2
♥ A 10		♥ J 6 4
♦ J 10 9 6 5		♦ K 7 3 2
♣ 8 6 4		♣ J 7 3
	♠ Q 4	
	♥ Q 9 8 5	
	♦ A	
	♣ A K Q 10 5 2	
	♠ J 8 7 5 3	
	♥ K 7 3 2	
	♦ Q 8 4	
	♣ 9	

EW 4N; EW 5♣; EW 3♥; EW 2♦; EW 1♠; Par -430; EW 3N+1

**Board 2**  
East Deals  
N-S Vul

Blue-Thursdays

♠ Q 7		♠ K 8
♥ Q 9 8 7		♥ J 4 3 2
♦ 9 6 5		♦ Q J 7
♣ Q 8 5 3		♣ A 10 9 7
		♠ J 9 4 3 2
		♥ A K 10 5
		♦ K 3 2
		♣ 2

NS 5♠; NS 3N; NS 4♦; NS 2♥; NS 2♣; Par +650: NS 4♠+1

**Board 3**  
South Deals  
E-W Vul

Blue-Thursday

♠ Q J 10 9 8 5 3

♥ A 10

♦ 8 5

♣ 8 4

♠ K 4 2

♥ J

♦ A 10 3 2

♣ K Q J 7 6



♠ 7

♥ 9 8 7 5 4 3

♦ J 7 6 4

♣ 10 2

♠ A 6

♥ K Q 6 2

♦ K Q 9

♣ A 9 5 3

NS 4♠; NS 1N; NS 1♥; EW 1♦; Par +420: NS 4♠=

**Board 4**  
West Deals  
Both Vul

Blue-Thursday

♠ A 8  
♥ K J 8 4  
♦ 8 7 5  
♣ J 10 9 4

♠ K 6 2  
♥ 9 6  
♦ J 10 4  
♣ A K 7 5 2



♠ J 10 9 4 3  
♥ A Q 5 2  
♦ 9  
♣ Q 8 6

♠ Q 7 5  
♥ 10 7 3  
♦ A K Q 6 3 2  
♣ 3

EW 4♠; EW 3♣; NS 1N; NS 2♦; EW 1♥; Par -620: EW 4♠=

**Board 5**  
North Deals  
N-S Vul

Blue-Thursday

♠ 10 9 3  
♥ K Q 5 3  
♦ K J  
♣ J 10 7 4

♠ K Q 4  
♥ —  
♦ 9 8 7 6 2  
♣ A K Q 9 2



♠ A J 8 6 5 2  
♥ A J 10 7  
♦ A 5  
♣ 8

♠ 7  
♥ 9 8 6 4 2  
♦ Q 10 4 3  
♣ 6 5 3

EW 7♠; EW 5N; EW 5♣; EW 4♦; EW 2♥; Par -1510; EW 7♠=

**Board 6**  
East Deals  
E-W Vul

Blue-Thursday

♠ K 9 8 6

♥ J 7 3

♦ A Q 9

♣ J 7 5

♠ Q 7 4

♥ Q 9 4 2

♦ J 8 6 5 2

♣ K



♠ J 5

♥ A 8 6 5

♦ K 3

♣ A 10 8 6 4

♠ A 10 3 2

♥ K 10

♦ 10 7 4

♣ Q 9 3 2

EW 3♥; NS 2♠; NS 1N; E 2♦; W 1♦; EW 1♣; Par -100; NS 3♠×-1



**Board 8**  
West Deals  
None Vul

Blue-Thursdays

♠ A 10 9 8 6 4 3

♥ 6 3

♦ 8 5 2

♣ Q

♠ K Q

♥ K J 7 2

♦ A J 7 6 3

♣ 9 2



♠ 5 2

♥ 8

♦ K 9 4

♣ A K 10 8 6 5 3

♠ J 7

♥ A Q 10 9 5 4

♦ Q 10

♣ J 7 4

EW 4♦; EW 4♣; EW 2N; NS 1♠; EW 1♥;  
Par -130: EW 3♣+1; EW 3♦+1



**Board 9**  
North Deals  
E-W Vul

Blue-Thursday

♠ Q 10 9 8

♥ A J 10

♦ A 9

♣ Q J 6 3

♠ K J

♥ 8 6

♦ K J 3

♣ K 8 7 5 4 2



♠ A 7 6 2

♥ K 9 7 4

♦ 10 8 6 4

♣ 10

♠ 5 4 3

♥ Q 5 3 2

♦ Q 7 5 2

♣ A 9

NS 1N; W 2♣; NS 1♥; EW 1♦; E 1♣; Par -90: W 2♣=

**Board 10**  
East Deals  
Both Vul

Blue-Thursday

♠ J 9 4 3		♠ A 8
♥ 10 8 7 5 4		♥ K 9
♦ J 4 3		♦ A K 7 6 2
♣ 7		♣ K 10 5 4
	W	
	N	
	E	
	S	
		♠ K 10 6
		♥ Q J 3
		♦ 9 8
		♣ A Q J 9 3
		♠ Q 7 5 2
		♥ A 6 2
		♦ Q 10 5
		♣ 8 6 2

NS 3N; N 4♦; NS 2♠; S 3♦; N 3♣; S 2♣; Par +600: NS 3N=

**Board 11**  
South Deals  
None Vul

Blue-Thursday

♠ A Q  
♥ A K 8 6 4  
♦ Q 10 8 5  
♣ J 7

♠ K 7 5 3  
♥ Q J 3 2  
♦ K  
♣ Q 10 3 2



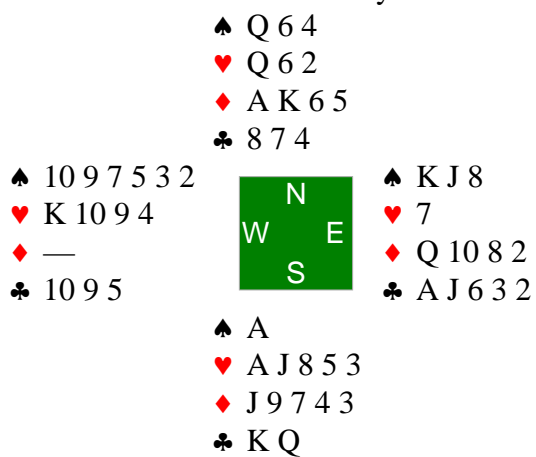
♠ J 10 9 6  
♥ 9 5  
♦ A 4 3 2  
♣ A 5 4

♠ 8 4 2  
♥ 10 7  
♦ J 9 7 6  
♣ K 9 8 6

EW 2♠; NS 2♥; NS 3♦; NS 1N; S 1♣; Par +100; EW 3♠×-1

**Board 12**  
 West Deals  
 N-S Vul

Blue-Thursdays



EW 3♠; NS 3♥; NS 2N; NS 3♦; EW 2♣; Par -140; EW 3♠=

**Board 13**  
North Deals  
Both Vul

Blue-Thursday

♠ 9 5 3  
♥ K Q 10 8  
♦ A 10  
♣ 10 9 4 2

♠ 6 2  
♥ A 9 2  
♦ J 9 7 4 3  
♣ Q 7 6



♠ A K 10 8 4  
♥ 7 6 5 3  
♦ 6  
♣ A 8 3

♠ Q J 7  
♥ J 4  
♦ K Q 8 5 2  
♣ K J 5

NS 1N; EW 1♠; EW 1♥; NS 1♦; E 1♣; Par +90: NS 1N=

**Board 14**  
East Deals  
None Vul

Blue-Thursdays

♠ A 10 6 3

♥ A K 9 7

♦ K 7 4

♣ Q 10

♠ Q 7 4 2

♥ Q 10 6 5 3

♦ 3

♣ 8 7 5



♠ K 9 8 5

♥ J 4

♦ A 8 2

♣ A K 9 6

♠ J

♥ 8 2

♦ Q J 10 9 6 5

♣ J 4 3 2

EW 2♠; EW 2♥; NS 3♦; NS 1N; EW 1♣;  
Par +100: EW 3♥×-1; EW 3♠×-1

**Board 15**  
South Deals  
N-S Vul

Blue-Thursday

♠ A 6 2  
♥ K 5 2  
♦ 10 8 3 2  
♣ A K J

♠ Q 9 8 4 3  
♥ 9 7 3  
♦ 5  
♣ Q 9 5 3



♠ J 10 5  
♥ A J 4  
♦ K Q 7 6  
♣ 8 6 4

♠ K 7  
♥ Q 10 8 6  
♦ A J 9 4  
♣ 10 7 2

NS 4N; NS 4♥; NS 5♦; NS 4♣; NS 1♠; Par +630; NS 3N+1

**Board 16**  
West Deals  
E-W Vul

Blue-Thursdays

♠ A 7  
♥ K 10 6 5  
♦ A Q J 7  
♣ 9 5 2

♠ K J 9  
♥ J 4 3 2  
♦ K 5 3  
♣ 8 6 3



♠ Q 8 6 5 2  
♥ Q 9  
♦ 10 9 6 2  
♣ A 4

♠ 10 4 3  
♥ A 8 7  
♦ 8 4  
♣ K Q J 10 7

NS 4♥; NS 5♣; NS 2N; NS 2♦; NS 1♠; Par +420: NS 4♥=



**Board 17**  
North Deals  
None Vul

Blue-Thursday

♠ 10 7 5  
♥ A K 10 4  
♦ A 7 5  
♣ J 10 9

♠ J 8 4  
♥ Q 9 8 6  
♦ Q 8 6 4 3  
♣ 4



♠ Q 9 6 2  
♥ J 7 3  
♦ K 10  
♣ Q 8 5 2

♠ A K 3  
♥ 5 2  
♦ J 9 2  
♣ A K 7 6 3

NS 5N; NS 5♣; NS 3♠; NS 3♥; NS 2♦; Par +460: NS 3N+2

**Board 18**  
East Deals  
N-S Vul

Blue-Thursday

♠ Q J 6 5

♥ J

♦ J 6

♣ A K J 8 7 3

♠ A 9 8 7 4 3 2

♥ 7 5 2

♦ —

♣ Q 9 5



♠ 10

♥ Q 10 9

♦ K Q 10 7 5 4 3 2

♣ 10

♠ K

♥ A K 8 6 4 3

♦ A 9 8

♣ 6 4 2

S 6N; N 5N; S 4♥; N 3♥; S 4♣; NS 2♠; N 3♣; EW 1♦;  
Par +1400: EW 7♦×-6

**Board 19**  
South Deals  
E-W Vul

Blue-Thursdays

♠ A 10 3		♠ K 9 8 4
♥ J 9 8 6		♥ A 7 5 3
♦ 4		♦ 10 5
♣ A K 7 5 3		♣ 8 6 4
	♠ N	
	W     E	
	♠ S	
		♠ Q J 6 2
		♥ K 4 2
		♦ 9 8 6 3 2
		♣ 2

EW 2♥; NS 3♦; NS 1N; EW 1♠; EW 1♣; Par +110: NS 3♦=

**Board 20**  
West Deals  
Both Vul

Blue-Thursdady

♠ 10 5  
♥ 9 8 5  
♦ K 9 8 7 3  
♣ 9 3 2

♠ A 9 8  
♥ K J 6 2  
♦ A Q 6  
♣ 6 5 4



♠ K Q 4 2  
♥ 7 3  
♦ J 10 4  
♣ Q J 10 7

♠ J 7 6 3  
♥ A Q 10 4  
♦ 5 2  
♣ A K 8

EW 2N; EW 2♠; EW 2♣; EW 1♥; EW 1♦; Par -120; EW 1N+1

**Board 21**  
North Deals  
N-S Vul

Blue-Thursday

♠ K Q  
♥ K 10 3  
♦ K J 10 9 8 6 4  
♣ 5

♠ 9 8  
♥ A 8 6 5  
♦ A 7 2  
♣ K J 8 2



♠ A J 5 3 2  
♥ 9 7 2  
♦ Q 5  
♣ A Q 10

♠ 10 7 6 4  
♥ Q J 4  
♦ 3  
♣ 9 7 6 4 3

EW 3N; EW 3♠; W 3♥; E 2♥; EW 3♣; NS 2♦; Par -400; EW 3N=

**Board 22**  
East Deals  
E-W Vul

Blue-Thursday

♠ A 9 7  
♥ Q J 9 3  
♦ A Q 10 8  
♣ 7 4

♠ J  
♥ 10 6 4 2  
♦ K 9 6 5 4  
♣ A 5 2



♠ K 10 5  
♥ A K 8 7  
♦ J 7  
♣ J 10 9 3

♠ Q 8 6 4 3 2  
♥ 5  
♦ 3 2  
♣ K Q 8 6

N 4♠; S 3♠; W 2♥; E 1♥; NS 1♣; Par +420: N 4♠=

**Board 23**  
South Deals  
Both Vul

Blue-Thursday

♠ J 8		♠ K 6
♥ K J 6 5 4		♥ 8 7 3
♦ J 3		♦ K 9 8 5
♣ K 6 5 4		♣ A J 10 8
		♠ Q 10 7 4 3 2
		♥ Q 10 9 2
		♦ 6 4
		♣ 3


♠ A 9 5  
♥ A  
♦ A Q 10 7 2  
♣ Q 9 7 2



NS 4♠; EW 2♣; EW 1♥; NS 1♦; Par +620: NS 4♠=

**Board 24**  
West Deals  
None Vul

Blue-Thursdays

	♠ K 7	
	♥ 8 6 4	
	♦ A Q 5	
	♣ A K 6 4 3	
♠ A Q 9 6		♠ 10 4 2
♥ K 5 2		♥ A Q 7
♦ 6 3 2		♦ J 10 7 4
♣ Q 10 2		♣ 9 8 7
	♠ J 8 5 3	
	♥ J 10 9 3	
	♦ K 9 8	
	♣ J 5	

NS 2♥; NS 2♦; NS 2♣; NS 1♠; Par +110: NS 2♥=



**Board 25**  
North Deals  
E-W Vul

Blue-Thursdays

♠ K 8 3 2  
♥ Q 6  
♦ K J 7 4 2  
♣ J 3

♠ J 7 5  
♥ A K 3  
♦ Q 9  
♣ K 10 9 6 2



♠ A Q 6  
♥ 10 8 7 4  
♦ A 6 3  
♣ A Q 8

♠ 10 9 4  
♥ J 9 5 2  
♦ 10 8 5  
♣ 7 5 4

W 5N; W 5♥; E 4N; W 4♠; E 4♥; EW 5♣; E 3♠; EW 2♦;  
Par -660: W 3N+2

**Board 26**  
East Deals  
Both Vul

Blue-Thursday

♠ 6 3  
♥ A J 5 4 3  
♦ A K J 2  
♣ A 5

♠ J 7 4  
♥ Q 9 8  
♦ 10 9 8 7  
♣ Q 8 4



♠ A Q 8 5  
♥ K 10 6 2  
♦ 5 4  
♣ 7 6 2

♠ K 10 9 2  
♥ 7  
♦ Q 6 3  
♣ K J 10 9 3

N 5N; S 4N; NS 5♦; NS 5♣; NS 3♠; NS 3♥; Par +660: N 3N+2

**Board 27**  
South Deals  
None Vul

Blue-Thursday

♠ Q 6  
♥ A 2  
♦ A J 7 2  
♣ Q J 6 4 2

♠ 7 5  
♥ K 8 6 4  
♦ Q 10  
♣ A 10 9 7 3



♠ A K J 10 9 2  
♥ J 5  
♦ 9 8 6 4  
♣ 8

♠ 8 4 3  
♥ Q 10 9 7 3  
♦ K 5 3  
♣ K 5

EW 2♠; EW 1N; NS 1♥; NS 1♦; NS 1♣; Par -110; EW 2♠=

**Board 28**  
West Deals  
N-S Vul

Blue-Thursday

♠ K J 7 3  
♥ A K 10 3  
♦ J 5 3 2  
♣ 7

♠ 9 4  
♥ 9 8 6 5  
♦ K 8 6  
♣ J 8 6 5



♠ A 10 8 6  
♥ 7 4  
♦ A 7 4  
♣ K Q 4 2

♠ Q 5 2  
♥ Q J 2  
♦ Q 10 9  
♣ A 10 9 3

NS 2N; NS 2♠; NS 2♥; NS 2♦; EW 1♣; Par +120: NS 2N=

**Board 29**  
North Deals  
Both Vul

Blue-Thursdays

♠ Q 7 3 2

♥ K 7 5 4

♦ A 6

♣ Q J 8

♠ A

♥ Q 9 6

♦ Q J 7 5 4 3

♣ 5 3 2



♠ K 8 6 5 4

♥ J 3

♦ 10 9 8

♣ K 9 6

♠ J 10 9

♥ A 10 8 2

♦ K 2

♣ A 10 7 4

NS 4♥; NS 3N; NS 3♠; NS 4♣; NS 1♦; Par +620: NS 4♥=

**Board 30**  
East Deals  
None Vul

Blue-Thursday

♠ K J 9 7		♠ A 10 3
♥ 9		♥ A J 8 7
♦ Q 7 5 3		♦ K 8 6
♣ A 8 7 3		♣ K 10 6
	♠ Q 8 4 2	
	♥ K 5 4 2	
	♦ A J 2	
	♣ Q 2	
	♠ 6 5	
	♥ Q 10 6 3	
	♦ 10 9 4	
	♣ J 9 5 4	

EW 3♠; EW 2N; EW 2♦; EW 2♣; N 1♥; Par -140; EW 2♠+1

**Board 31**  
South Deals  
N-S Vul

Blue-Thursday

	♠ J										
	♥ J 5 4 3										
	♦ J 4										
	♣ A J 9 6 5 2										
♠ A 10 8 6 5 3	<table><tr><td></td><td>N</td><td></td></tr><tr><td>W</td><td></td><td>E</td></tr><tr><td></td><td>S</td><td></td></tr></table>		N		W		E		S		♠ 9 2
	N										
W		E									
	S										
♥ K 10 2		♥ 9 7									
♦ K 2		♦ Q 9 8 7 6 3									
♣ 4 3		♣ K 10 7									
	♠ K Q 7 4										
	♥ A Q 8 6										
	♦ A 10 5										
	♣ Q 8										

NS 3N; NS 3♥; NS 3♣; EW 1♠; EW 1♦;  
Par +500: EW 4♦×-3; EW 4♠×-3

**Board 32**  
 West Deals  
 E-W Vul

Blue-Thursdays

♠ 5 2  
 ♥ A J 9 7  
 ♦ K J 8 5  
 ♣ 10 8 6

♠ K 10 9 7 3  
 ♥ 10 8 5  
 ♦ 3  
 ♣ Q J 7 4



♠ J 8 6 4  
 ♥ K Q 3  
 ♦ 10 9 6  
 ♣ 9 5 2

♠ A Q  
 ♥ 6 4 2  
 ♦ A Q 7 4 2  
 ♣ A K 3

NS 3N; NS 3♥; NS 4♦; EW 2♠; NS 1♣; Par +400: NS 3N=



**Board 33**  
North Deals  
None Vul

Blue-Thursday

♠ A 7 5  
♥ 5 4 3  
♦ 10 8 6 5 4  
♣ 7 5

♠ Q 10 9 8 2  
♥ A Q  
♦ K 7 3  
♣ A J 10



♠ J 4  
♥ K 10 8 7 6  
♦ A J  
♣ 9 6 4 2

♠ K 6 3  
♥ J 9 2  
♦ Q 9 2  
♣ K Q 8 3

E 4N; EW 4♠; EW 4♥; W 3N; EW 4♣; EW 1♦; Par -430; E 3N+1

**Board 34**  
East Deals  
N-S Vul

Blue-Thursdays

♠ J 9 3 2  
♥ A 8 7 5 3  
♦ K 6  
♣ A 6

♠ 10 7 6  
♥ Q J 10 4  
♦ A 9 2  
♣ Q J 4



♠ K Q 8 4  
♥ 6 2  
♦ Q 10 5 4  
♣ 5 3 2

♠ A 5  
♥ K 9  
♦ J 8 7 3  
♣ K 10 9 8 7

NS 2N; NS 2♠; NS 2♥; NS 3♣; NS 2♦; Par +120; NS 1N+1

**Board 35**  
South Deals  
E-W Vul

Blue-Thursday

♠ A K 7 5 4

♥ Q J 10 8 7

♦ J 7

♣ 2

♠ Q 8

♥ A K 6 5

♦ 6 5 3 2

♣ 9 6 5



♠ J 10 9

♥ 9 4 2

♦ A K 9 8

♣ K Q 8

♠ 6 3 2

♥ 3

♦ Q 10 4

♣ A J 10 7 4 3

NS 2♠; NS 1N; NS 2♣; NS 1♥; EW 1♦; Par +110: NS 1♠+1

**Board 36**  
West Deals  
Both Vul

Blue-Thursday

♠ K 7		♠ A 10
♥ 8 4 3		♥ A K Q 10 2
♦ 10 9 8 7 4 2		♦ Q 6 5
♣ 8 7		♣ A K 2
		♠ 9 8 4 2
		♥ J 7 6 5
		♦ A J 3
		♣ 5 3

♠ Q J 6 5 3  
♥ 9  
♦ K  
♣ Q J 10 9 6 4

W N E  
S

EW 3♥; EW 4♦; EW 2N; NS 2♠; NS 1♣; Par -140: EW 3♥=